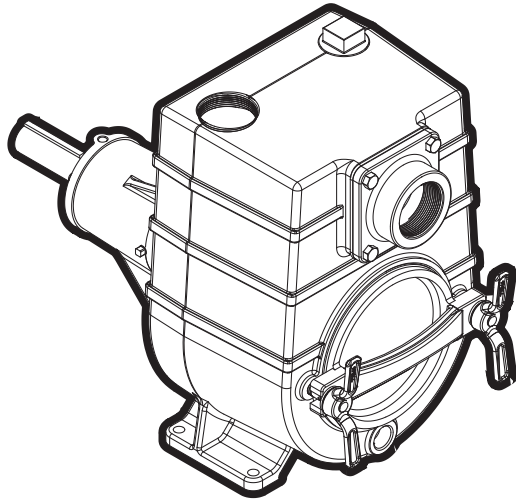


## Self-Priming FTT 20-40

BOOK: SPF-010  
DATE: Mar. 1, 2012



### Specifications:

**Capacities:** to 740 gpm

**Heads:** to 140 feet

**Working Pressure:** 75 psi max

**Temperature:** 212 °F max

**Rotation:** clockwise viewed from motor end

**Pipe Connections:** NPT

Discharge	Suction
2"	2"
3"	3"
4"	4"

### Features:

- **Volute:** Cast iron with reinforced ribs for added strength. Clean out cover with wing nuts for quick access, and tapped openings provided for priming, venting and draining. Built in check valve with threaded NPT suction inlet, prevents siphoning, facilitates priming.
- **Impeller:** Enclosed cast iron, two vane type capable of handling spherical solids. Unique design eliminates need for wear plate.
- **Mechanical Seal:** Standard carbon/ceramic faces, Viton® elastomers, 300 series stainless components.
- **Bearing Frame:** For belt or direct drive with heavy sealed bearings and a keyed stainless shaft.
- **Mounting:** Horizontal position.

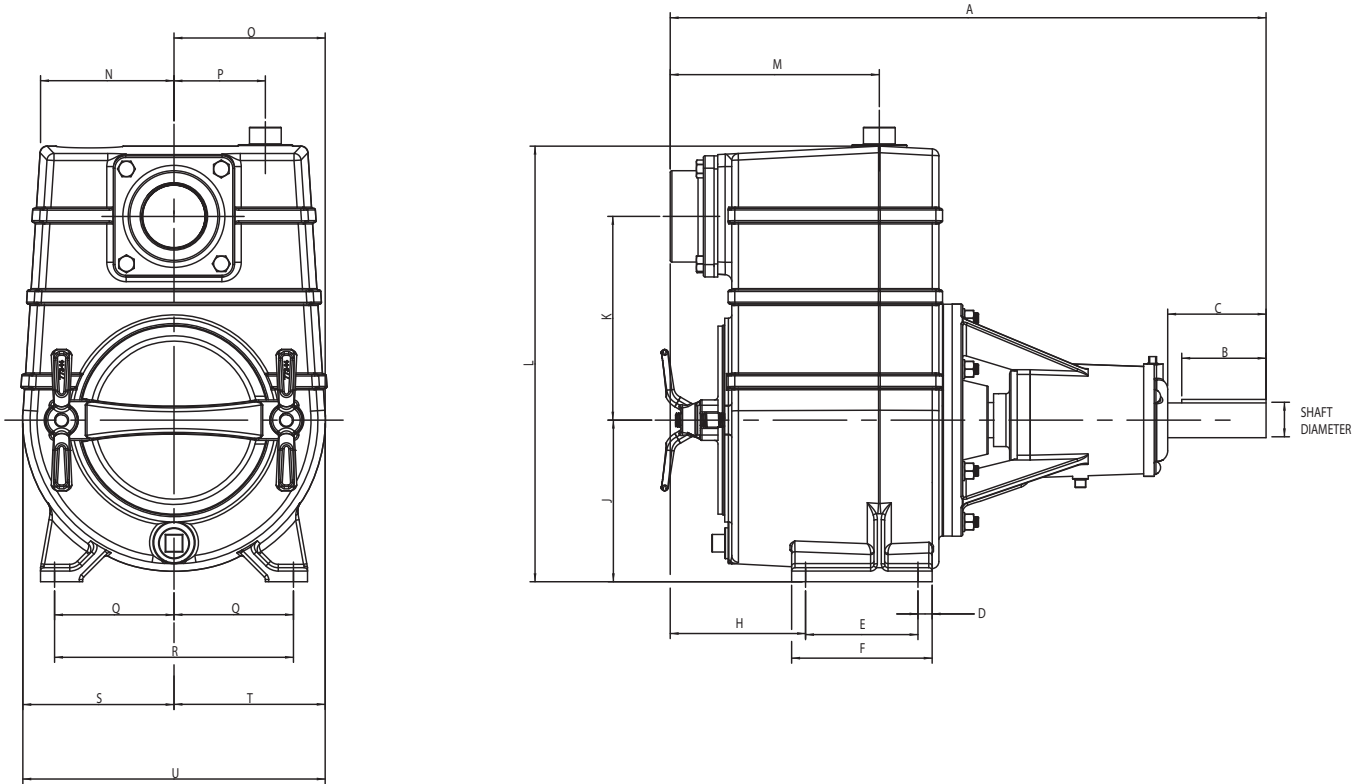
### Applications:

- Irrigation
- Construction
- Mining
- Commercial
- Municipal
- Light Industrial
- Water Truck

Viton® is a registered trademark of E. I. du Pont de Nemours and Company.

## Self-Priming FTT 20-40

### Dimensional Drawings:



### Dimensions:

Model	Keyway	A	B	C	D	E	F	H	J	K	L	M	N	O	P	Q	R	S	T	U	Dia.
FTT-20	1/4	21.40	1.25	3.00	.44	4.00	5.00	4.87	5.75	13.00	16.25	9.50	3.00	3.25	4.25	9.50	10.75	-	-	-	1.25
FTT-30	1/4	24.75	3.00	3.50	.56	4.75	4.75	6.56	6.90	9.47	20.13	9.56	3.13	5.63	3.75	5.38	12.00	6.63	6.38	-	1.25
FTT-40	3/8	30.06	3.00	3.50	.56	7.25	7.25	6.69	9.00	14.25	26.50	11.81	5.00	7.25	4.75	7.75	14.50	.50	-	17.75	1.625

**Note:** Dimensions are for estimating purposes only. All dimensions in inches.

## Self-Priming FTT 20-40

---

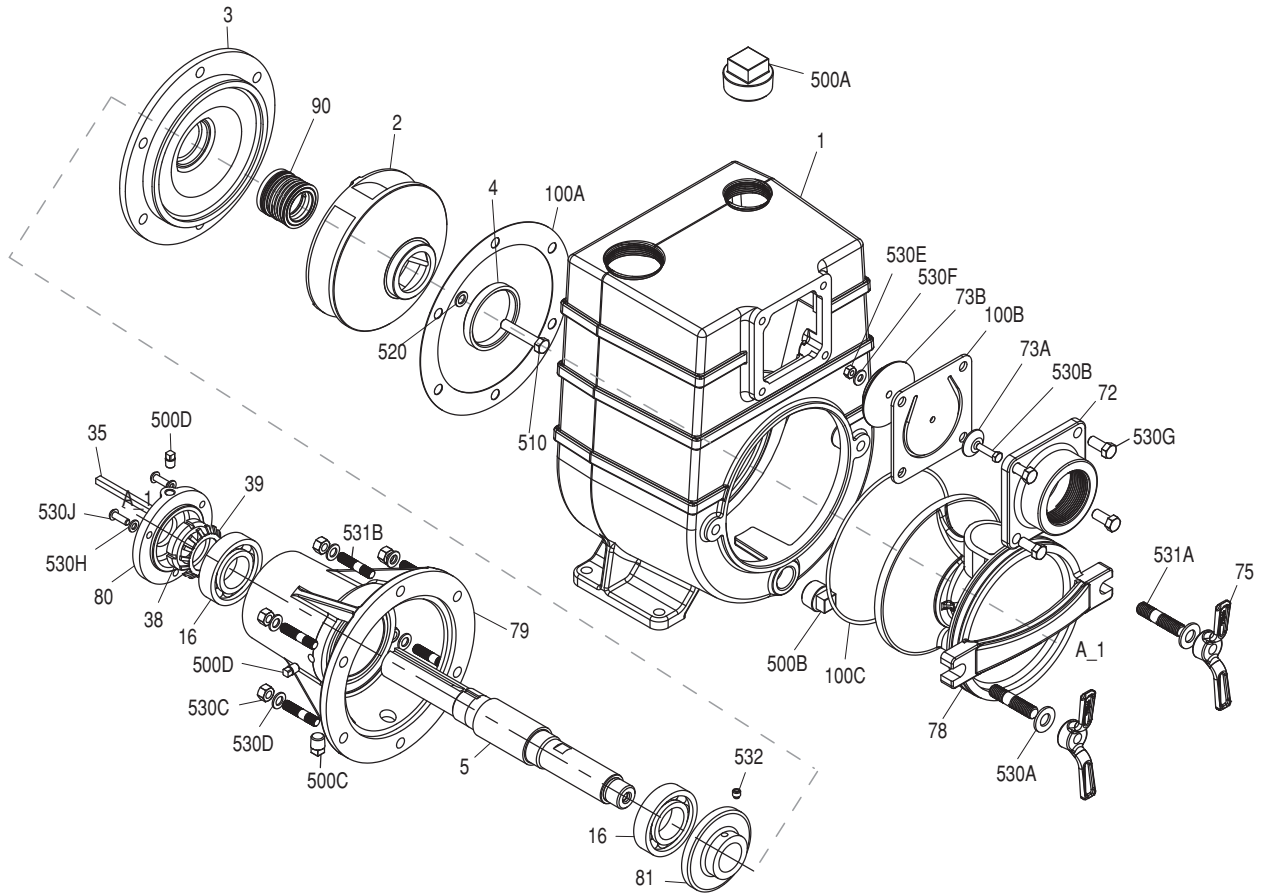
### Ordering Information:

Self-Priming Frame Mount FTT				
Pump Size (Dis. x Suc.)	Model Description	Order Number	Weight	Solid Size
2 x 2	FTT-20	90240002	129	1-1/8"
3 x 3	FTT-30	90240003	190	2"
4 x 4	FTT-40	90240004	420	3"

**Note:** All weight in pounds.

# Self-Priming FTT 20-40

## Exploded Parts Drawing:



## Self-Priming FTT 20-40

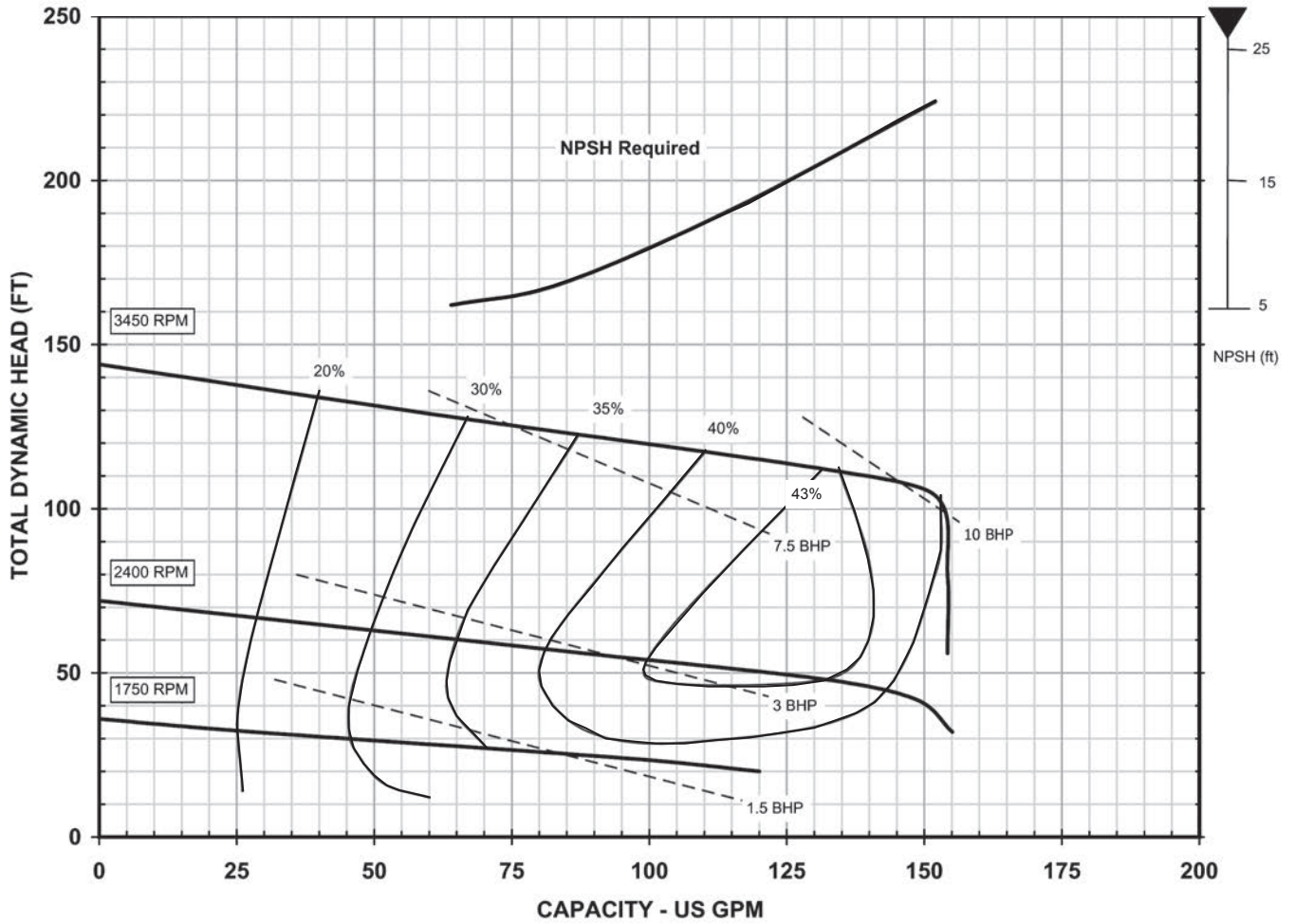
### Materials and Parts:

Fig. No.	Part Description	Part No.			Materials of Construction
		FTT-20	FTT-30	FTT-40	
1	Pump Case	305454001	305454002	305454003	Cast Iron, ASTM-A48 CL30
2	Impeller	305454004	305454005	305454006	Cast Iron, ASTM-A48 CL30
3	Seal Plate	305454007	305454008	305454009	Cast Iron, ASTM-A48 CL30
4	Wear Ring	305454010	305454011	305454012	Ductile Iron
5	Shaft	305454013	305454014	305454015	7M-212SST
16	Ball Bearing (2-pack)	305463034	305463035	305463036	Misc.
35	Shaft Key	305454016		305454017	1018 CRS
38	Bearing Nut	305463037	305463038	305463039	300 Series Stainless
39	Bearing Lockwasher	305463040	305463041	305463042	Zinc Plated Steel
72	Check Valve	305454018	305454019	305454020	Cast Iron, ASTM-A48 CL30
73A	Top Weight - Check Valve	305454021	305454022	305454023	Cast Iron, ASTM-A48 CL30
73B	Bottom Weight - Check Valve	305454024	305454025		Cast Iron, ASTM-A48 CL30
75	T-Handle Fasteners	305454026		305454027	Cast Iron, ASTM-A48 CL30
78	Cleanout Cover	305454028	305454029	305454030	Cast Iron, ASTM-A48 CL30
79	Transmission Head	305454031	305454032	305454033	Cast Iron, ASTM-A48 CL30
80	Bearing Cover	305454034	305454035	305454036	Cast Iron, ASTM-A48 CL30
81	Seal Cover	305454037	305454038	305454039	Cast Iron, ASTM-A48 CL30
90	Mechanical Shaft Seal	305463043		305463044	CARB/CER x VITON®-SS
100A	Case Gasket	305454040	305454041	305454042	Nitrile
100B	Flapper Valve	305454043	305454044	305454045	Neoprene
100C	O-Ring - Volute	305463045	305463046	305463047	Nitrile
500A	Pipe Plug NPT (3-pack)	305463048	305463049		CAD Plated Steel
500B	Pipe Plug 3/4" (3-pack)	305463050			CAD Plated Steel
500C	Pipe Plug 1/4" (4-pack)	305463020		n/a	CAD Plated Steel
500D	Pipe Plug 1/8" (3-pack)	305463051		n/a	CAD Plated Steel
510	Impeller Hex Bolt	305463052	305463053	305463054	300 Series Stainless
520	Impeller Washer	305453006	305454046	305454047	Aluminum Plate
530A	Washer - T-handle	305463055		n/a	Zinc Plated Steel
530B	Flapper Bolt	305463056	305463057	305463058	Zinc Plated Steel
530C	Hex Nut (6-pack)	305463033	305463059		Zinc Plated Steel
530D	Lockwasher 3/8" (6-pack)	305463032	305463060		Zinc Plated Steel
530E	Nut, Flapper	305463061		305463062	Zinc Plated Steel
530F	Washer, Flapper	305463063		n/a	Zinc Plated Steel
530G	Valve Hex Cap Screw (4-pack or 8-pack)	305463064		305463065	Zinc Plated Steel
530H	Washer - Bearing Cover	305463066		305463067	Zinc Plated Steel
530J	Bolt - Bearing Cover	305463068		305463069	Zinc Plated Steel
531A	Threaded Stud - Cover (6-pack)	305463070	305463071	305463072	Zinc Plated Steel
531B	Threaded Stud - Transmission (6-pack)	305463031	305463073		Zinc Plated Steel
532	Set Screw	305463074		305463075	Zinc Plated Steel

Viton® is a registered trademark of E. I. du Pont de Nemours and Company.

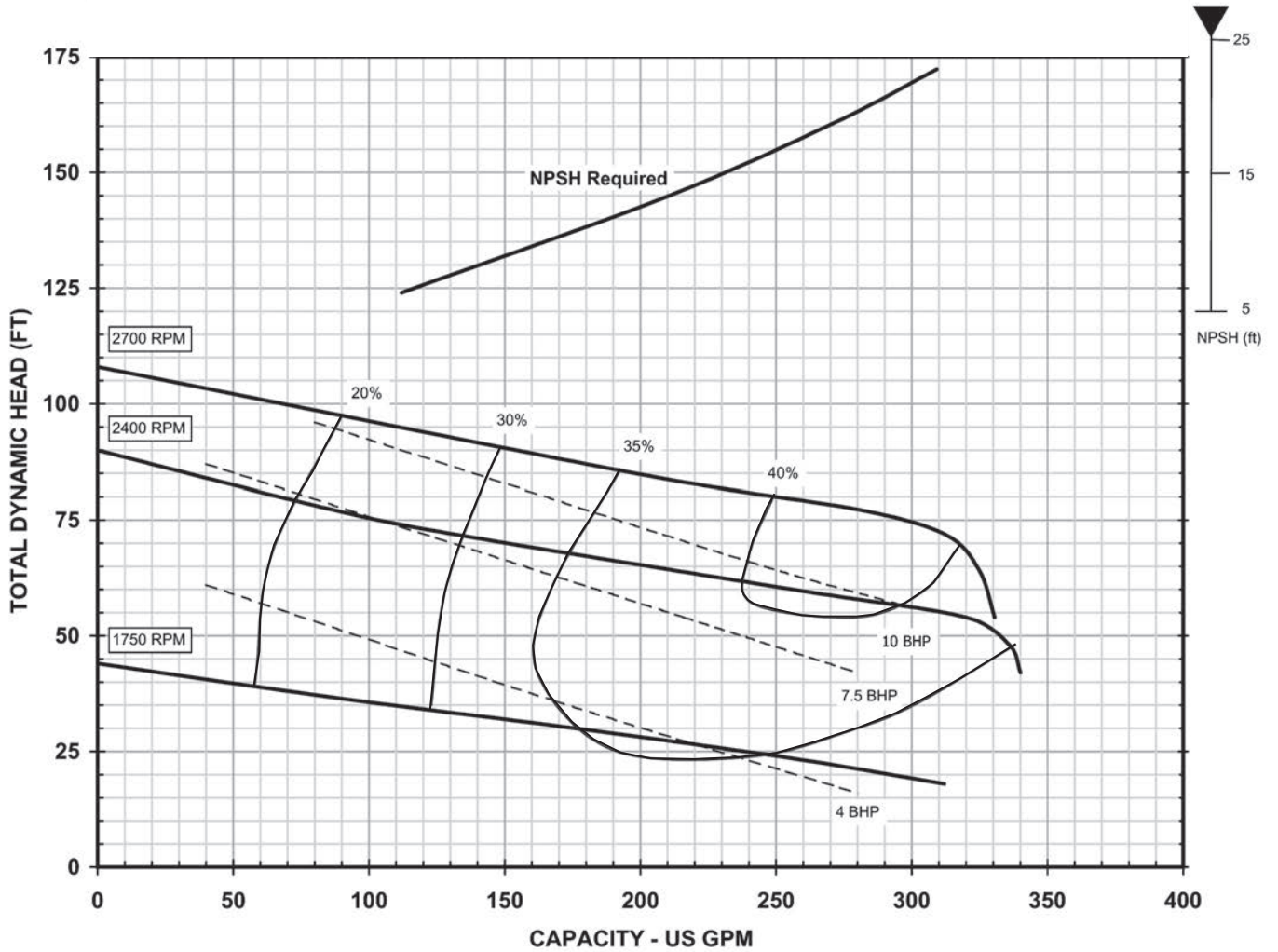
# Self-Priming FTT 20-40 FTT-20

## Performance Curve:



## Self-Priming FTT 20-40 FTT-30

### Performance Curve:



## Self-Prime FTT 20-40 FTT-40

### Performance Curve:

